



# **Operation Manual**

**for**

**Centrifugal Pumps Type**

**SLM GV**

**of Barrel Design with impeller 160**

**Execution acc. to Directive 94/9/EC**

**06/2009**

BA/EN-23905-Coversheet-05.doc



## Contents of Operation Manual

1. **General**\_\_\_\_\_BA/EN-23902-01/..
2. **Safety**\_\_\_\_\_BA/EN-21900-02/..
3. **Transport, Preservation  
and Intermediate Storage**\_\_\_\_\_BA/EN-23902-03/..
4. **Constructional Description**\_\_\_\_\_BA/EN-23905-04/..
5. **Installation and Assembly**\_\_\_\_\_BA/EN-23905-05/..
6. **Commissioning and Shutdown**\_\_\_\_\_BA/EN-23902-06/..
7. **Maintenance**\_\_\_\_\_BA/EN-23905-07/..
8. **Malfunctions,Causes and Elimination**\_\_\_\_BA/EN-23902-08/..

This operation manual describes the following pump types:

Multistage centrifugal pump of barrel design with magnet drive

- of bearing-support construction with grease-lubricated anti-friction bearings
  - SLM GVNT
  - SLM GVST
- of bearing-support construction with oil-lubricated anti-friction bearings
  - SLM GVOT
- of close-coupled construction
  - SLM GVBT

Prior to commissioning, this operation manual must be read thoroughly and fully understood by the operational staff (erecting and qualified staff). The manual contains important instructions for the safe operation and designated use of the pump. Observing these instructions helps to achieve a high level of availability and a long working life of the pump while ensuring a safe operation.

Further operation manuals regarding components of the pump unit, e. g. electric motors, monitoring equipment, etc. shall equally be observed.

Pictorial representations and information given in this operation manual are subject to technical modifications resulting in the improvement of KLAUS UNION products.

This operation manual is a copyright of KLAUS UNION.

This operation manual includes technical instructions and drawings, which must not be reproduced (neither in total nor in part), distributed or exploited without authority for the purpose of competition or transmitted to third parties

**KLAUS UNION** GmbH & Co. KG

P.O. Box 10 13 49  
D-44713 Bochum

Phone : +49 (0) 234 45 95 - 0  
Telefax : +49 (0) 234 45 95 7000  
Internet : [www.klaus-union.de](http://www.klaus-union.de)

## 1. General

This operation manual contains fundamental instructions to be observed during installation, operation and maintenance. By all means, this operation manual must be read by the installation personnel and the responsible qualified staff prior to installation and commissioning. The manual is always to be held available on site.

In addition to the general safety instructions given in this section, the special safety instructions mentioned in the following sections are to be observed.

KLAUS UNION will not assume any responsibility for damage incurred due to non-observance of this operation manual.

## 2. Marking of Safety Instructions

The safety instructions given in this operation manual are specially marked:



**Dangerous situation.**

Possible consequences: Damage to health and life of persons.



**Electrical hazard.**

Possible consequences: Severe or even lethal injuries.



**Important instructions regarding explosion protection.**



**Danger to health of persons with a pacemaker resulting from strong magnetic field.**

In case of dangers to the machine and its functions the word

**A T T E N T I O N**

has been inserted.

References made on the machine itself, such as

- direction-of-rotation arrow
- dry-running warning
- marks for fluid connections

must by all means be observed and kept completely legible.

### **3. Qualification and Training of Staff**

The staff responsible for the operation, maintenance, inspection and assembly must have the appropriate qualifications to perform these duties. Scope of responsibility, purview and supervision of staff must be clearly organized by the operating company. If the staff do not possess of the necessary expertise they must be trained to acquire the necessary knowledge. Furthermore, the operating company is to ensure that the contents of the operation manual is fully understood by the staff.

### **4. Dangers of Non-Compliance with Safety Instructions**

The pump units described in the present operation manual are usually used in industrial plants for the transport of partly hazardous products. Non-compliance with safety instructions can therefore cause danger to persons as well as to the environment. Non-compliance will result in the loss of any claim for damages.


In detail, non-compliance with the operation manual can result in the following dangers, e.g.:

- Danger to persons by electrical, mechanical and chemical influences
- Danger to the environment by leakage of dangerous substances
- Failure of important functions of the machine or plant

## 5. Safety-Conscious Work

Safety instructions mentioned in this operation manual, existing national regulations for prevention of accidents as well as any internal working, operating and safety instructions of the operating company have to be observed.



When operating the pump in hazardous locations, articles marked with the -sign are to be given special attention and observance.

## 6. Safety Instructions for the Operating Company/Operator



In case hot (temperature exceeding 50°C) or cold (temperature lower than 0°C) surfaces cause danger, they must be protected against accidental contact.



Protection against accidental contact for rotating parts (e.g. coupling guard) must not be removed during operation of the machine.



Electrical hazard may be given. The corresponding instructions are to be observed.



Magnet drives cause strong magnetic fields. Persons with a pacemaker should not stay close to the magnet drive or come into close bodily contact with parts of it.

For processing dangerous products, evacuation lines or drains must be installed in a way to prevent any danger to people or environment. Local government regulations are to be observed.

## 7. Safety Instructions for Maintenance, Inspection and Assembly

The operating company has to ensure that any maintenance, inspection and assembly works are performed by authorized and qualified staff. The staff must have read and fully understood the operation manual.

As a matter of principle, any works on the pump unit must be carried out during standstill. The pump casing must be depressurized and fully drained. Instructions given in the section "Commissioning and Shutdown" of this operation manual must be observed.



**Pumps processing noxious liquids must be decontaminated.**

Immediately upon termination of the works, any safety and protection devices must be reinstalled and put into operation. During re-commissioning, the instructions given in the section "Commissioning and Shutdown" of this operation manual must be observed.



**The lifting capacity of lifting gear and tackle must be designed to correspond at least with the own weight of the complete pump unit.**

## 8. Unauthorized Modification and Manufacture of Spare Parts



Modification of or changes to the pump may only be carried out upon agreement with the manufacturer. Original spare parts and accessories authorized by the manufacturer contribute to your safety. KLAUS UNION will refuse to accept any responsibility for damage resulting from the use of other parts.




**If the pump is modified or changed without authority and / or other than original spare parts are used for repair works, the explosion protection will be forfeited.**

## 9. Designated Use

Operational reliability of the pump is only granted for its designated use. The limiting values indicated in the data sheet, particularly those regarding temperature of the pumped liquid and pumping capacity must not be exceeded.

	<b>In case of pumps for which no datasheet is available (e. g. pool pumps), it must be checked prior to their commissioning, whether the allowable surface temperatures are not exceeded (refer to article „Temperature Limits“)</b>
	<b>Driving motor and flexible coupling (in case of pumps of bearing-support construction) must have an approval for the use in areas subject to explosion hazards.</b>

## 10. Temperature Limits


	<b>When being operated to its designated use, the pump's maximum surface temperature must not exceed the temperature category of the explosion protection zone.</b>
---	---

The plant operator must ensure that the maximum allowable temperature of the hazardous area is not exceeded when hot liquids are processed. Refer to the following table for the maximum allowable temperature of the pumped liquid in accordance with the applicable temperature category:




Temp.- Cate- gory	Maximum Temperature of the Pumped Liquid [°C]					
	Category 2 (Zone 1)			Category 3 (Zone 2)		
	Metal Isolation Shell	Non-Metal Isolation Shell		Metal Isolation Shell	Non-Metal Isolation Shell	
		CFK / PTFE	ZrO2		CFK / PTFE	ZrO2
T4	110	120	125	125	120	130
T3	175	120	190	190	120	195
T2	270	120	250	290	120	250
T1	400	120	250	440	120	250


In case of temperature categories T5 or T6, contact KLAUS UNION for further information.

	<p>The pump is designed for use in ambient temperatures of 40°C max. For ambient temperatures exceeding 40 °C, explosion protection is no longer granted.</p>
---	---

## 11. Speed Limits

It is possible to operate the pump with a frequency converter. Lubrication of the journal bearing and cooling of the magnet drive are sufficient even at a slower speed.

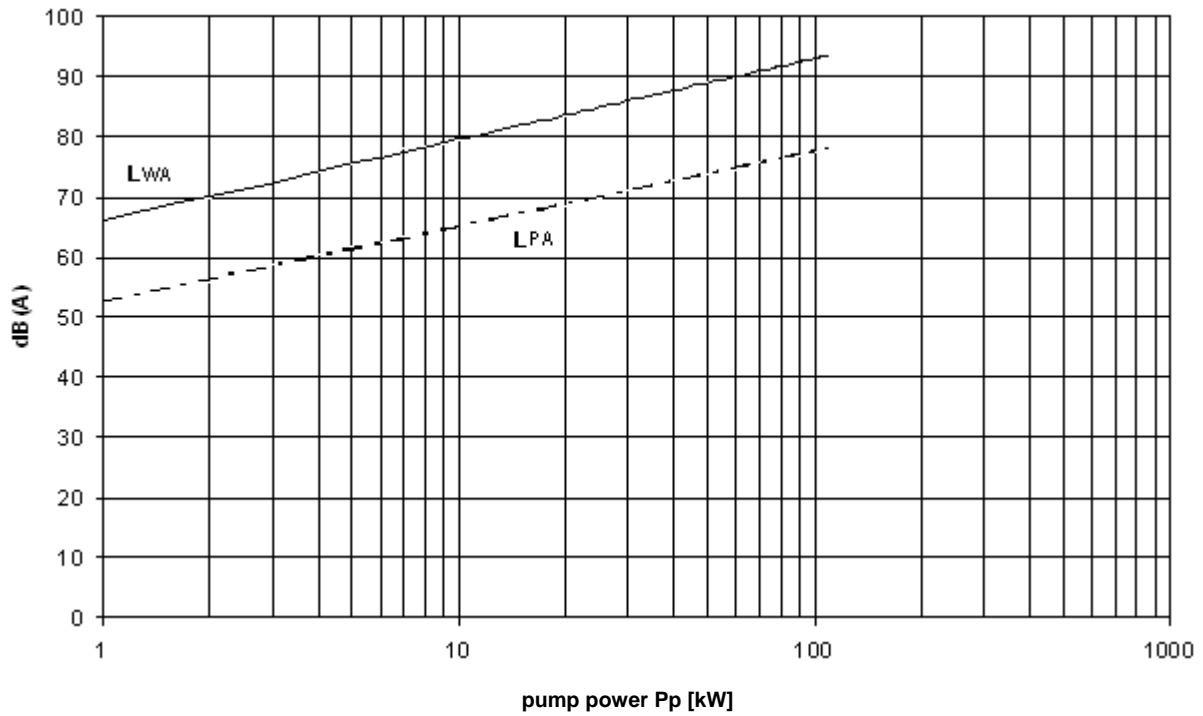
	<p>The maximum allowable speed is mentioned on the rating plate and in the data sheet. If the pump is operated at a speed exceeding the maximum speed indicated, explosion protection is no longer granted.</p>
---	---

	<p>Prior to operating the pump unit with a frequency converter it must be checked, whether the driving motor is appropriate for that purpose.</p>
---	---

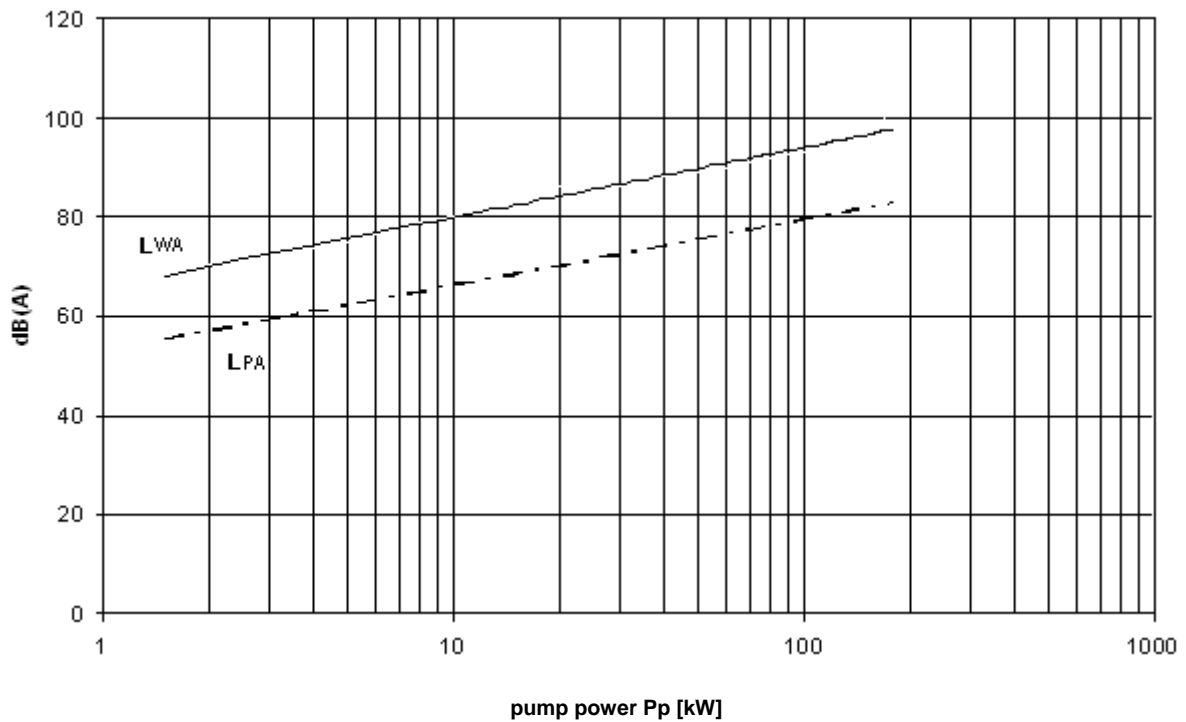
## 12. Sound Pressure Level

The sound pressure level  $L_{PA}$  and the sound power level  $L_{WA}$  of the pump measured to DIN 45635 are mentioned in the following diagramme dependent on the pump power and speed.

When assessing the total sound pressure level of the pump with motor, the motor data as indicated by the motor supplier are to be considered.



Centrifugal pump with magnet drive (without motor), sound power level  $L_{WA}$  and sound pressure level  $L_{PA}$ , speed  $n = 1450$  1/min



Centrifugal pump with magnet drive (without motor), sound power level  $L_{WA}$  and sound pressure level  $L_{PA}$ , speed  $n = 2900$  1/min

## 1. Scope of Delivery

The contents of the individual packing units is listed in the packing list. Upon delivery, it is to be checked whether the consignment as mentioned on the packing list is complete. The supplier is to be given written notice immediately of any damage to the goods incurred during transport and / or missing parts.

## 2. Degree of Disaggregation

The degree of disaggregation depends on mode and conditions of transport, local conditions and lifting equipment available. On principle, it is possible to disassemble the pump into several sub-assemblies. However, the pump is to be transported in as complete a unit as possible. However, if the pump is delivered in sub-assemblies, refer to the drawing enclosed with the packing list for the contractual degree of disaggregation.

## 3. Packing

The transport route is decisive for the kind and material of packaging. If not particularly stipulated in the contract, the packing corresponds with the packaging regulations HPE laid down by the Bundesverband Holzmittel, Paletten, Exportverpackung e.V (Federal Association Wood for Packaging, Pallets, Export Packaging Inc.). The graphical symbols attached to the packing are to be observed:



Top



Fragile



Keep dry



Store away from heat



Use no hooks



Gravity center



Post here

## 4. Transport

Transport of the pumps must be carried out expertly. During transport, the pump must remain in a horizontal position and it must be ensured that it does not slip out of the transport suspension (ref. to drawing). Shocks and impacts are to be avoided.

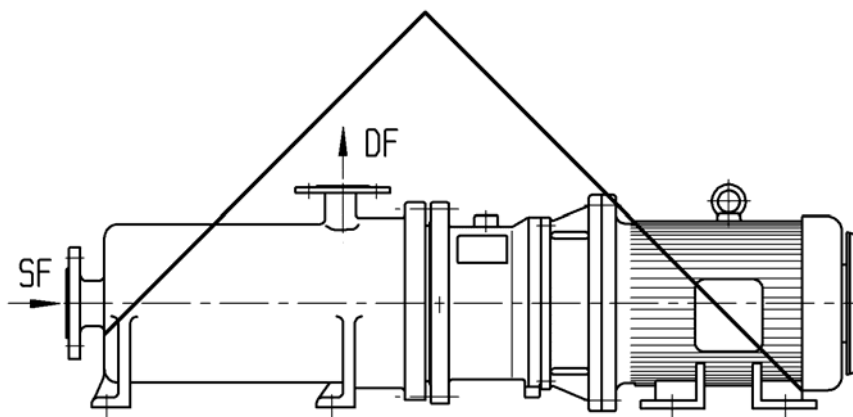
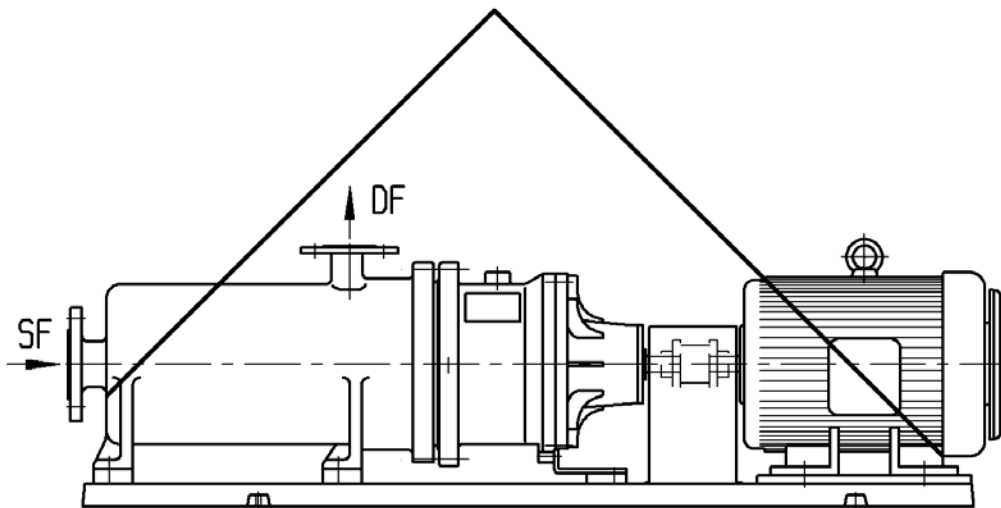


Suspended loads must not be transported over the heads of persons.



The lifting capacity of lifting gear and tackle must be designed to correspond at least with the own weight of the complete pump unit.

The pump unit (close-coupled and bearing-support construction) has to be transported as shown below.

**ATTENTION**

If necessary, use available securing devices for transport.

Never fasten the transport straps to the eye bolts of motor or pump lantern.

## 5. Preservation and Intermediate Storage of the Pump

The pump has been provided with a preservative either according to the customer's specification or as detailed in the operation manual. For a longer-term storage of the pump, special preservative measures are to be taken.

Prior to delivery, shaft ends have been equipped with protection caps for protection against dirt and damage. The connecting flanges of pump casing and supply / auxiliary connections are provided with flange covers or protection caps for protection against contamination. Protection caps and flange covers must not be removed during intermediate storage.

Having been packed into seaworthy cases for their transport, the pumps can be stored for a period of up to one year in their packing without special measures having to be taken. Nevertheless, to avoid damage to the anti-friction bearings in the pumps owing to vibrations, e. g. due to machines operated in close vicinity, the pumps should be stored in rooms free of vibrations.

For intermediate storage, parts of the following low-alloy components must be treated with a preservative:

- bare shaft ends of drive shafts
- surfaces of the pump casing made of cast steel GP240GH (1.0619) that are in contact with the pumped liquid

Concerning the anti-friction bearings it is understood that the lubricant in them will not be adversely affected during a one-year storage period provided the pumps are stored appropriately. If possible, the pumps should be turned by hand once a month during the storage period.

Commercially available preservatives can be used. For application and removal of the preservative, specific instructions given by the respective manufacturer must be observed. Preservation will protect the material for about 1 year. In case of a longer storage period, preservation must be renewed.

The storage area must be dry and free of dust.

Any plain metal parts must be oil- or grease-lubricated for protection against corrosion.

When storing pumps equipped with their driving motors, equally observe the instructions concerning preservation and storage given in the operation manual covering the driving motor.

**ATTENTION****For outdoor storage, the pump unit must be provided  
with a water-proof cover.**



<b>J</b>	Inducer
<b>L</b>	pump with closed bearing support
<b>S</b>	thermal barrier without secondary sealing
<b>W</b>	thermal barrier with secondary sealing
<b>Z</b>	ceramics isolation shell of zirconium oxide (Z)

**Marking of the types of bearing support:**

<b>Bearing Support</b>	<b>Type</b>	<b>Comments</b>
<b>SLM GVNT</b>	Special	Grease lubrication of special constructional length
<b>SLM GVST</b>	Standard	Grease lubrication with larger anti-friction bearing spacing
<b>SLM GVOT</b>	Standard	Oil lubrication with larger anti-friction bearing spacing

**Marking of the close-coupled construction:**

	<b>Type</b>	<b>Comments</b>
<b>SLM GVBT</b>	Close-coupled pump	Motor lantern

### **3. Constructive Design**

The centrifugal pump type SLM GV is a multistage, single-entry, horizontal radial flow centrifugal pump of barrel design with magnet drive. In the case of the magnet-drive pump, the pump power is transmitted from the driving motor via the magnet drive to the impeller. The magnet drive transmits the torque without slip and hermetically seals the product chamber from the atmosphere. The isolation shell between the two magnet rotors forms the static sealing.

#### **3.1 Hydraulic Component**

Essentially, the hydraulic component comprises the guide wheels, the pump impellers, the multistage casings and the pump casing. Within the hydraulic component, the mechanical shaft output is transformed into hydraulic power. The pump shaft runs in journal bearings, which are made of ceramics and lubricated by the pumped liquid. The product-side magnet rotor is mounted on the shaft that it drives.

### **3.2 Magnet Drive**

The magnet drive hermetically seals the hydraulic component from the driving component on the atmosphere. The magnet drive comprises the inner and outer magnet rotors and the isolation shell. The isolation located between the two rotors seals the system. The power transfer is effected without slip.

### **3.3 Driving Component**

#### **3.3.1 Close-Coupled Pump Type SLM GVBT**

With the close-coupled pump type, the outer magnet rotor is mounted direct on the motor shaft. The motor is bolted via a motor lantern directly onto the intermediate lantern of the pump.

#### **3.3.2 Bearing-Support Pump Type SLM GVNT / GVST / GVOT**

With the bearing-support pump type, the outer magnet rotor is fastened to the drive shaft. The shaft runs in anti-friction bearings. The bearing support is screwed on the intermediate lantern, the pump comes with a bare shaft end. Construction types SLM GVNT / GVST feature grease-lubricated anti-friction bearings whereas pump type SLM GVOT is supplied with oil-lubricated anti-friction bearings.

## **4. Construction Variants**

### **4.1 Double Isolation Shell D**

When a high level of safety is required, the pump can be equipped with a double-skin isolation shell. The isolation shell actually consists of two isolation shells with one of them put into the other. Each of the two isolation shells is designed to meet the requirements of the specified operation conditions. If one of them should fail, the system still remains sealed. The space between the two shells can be monitored.



## **4.2 External Feeding and Flushing Connections E1 and E2**

The external connections permit the external flushing, feeding or venting of the pump. Connection E1 is used when the constant external feeding of the magnet drive is required. Connection E2 is suitable for short-time flushing or external venting of the magnet drive.

## **4.3 External Feeding via Main Circuit Filter E1F**

When processing liquids containing solids, the main circuit filter ensures that no particles of solid matter exceeding a defined size enter the flush flow channels and thus reach the magnet drive and the journal bearings respectively. The flush flow feeding is effected via connection E1.

## **4.4 Internal Filter F**

When processing liquids containing solids, the internal filter ensures that no particles of solid matter exceeding a defined size enter the flush flow channels and thus reach the magnet drive and the journal bearings respectively.

## **4.5 Heated Pump H5 , H2 , H3**

The pumps can be equipped with a heating jacket on the pump casing (H5) , with a heating chamber in the intermediate lantern (H2) or with a jacket heating on the intermediate lantern (H3). The heating jackets can be used in various combinations. The heating jackets can be connected by a bypass-line or designed as separate units.

In the standard construction, the heating jackets are designed for a working pressure of 16 bar at 200°C (vapour) or 6 bar at 350°C (heat transfer oil).

The heating jackets may also be used for cooling purposes.

## **4.6 Inducer J**

When NPSH values prevailing in the plant are very low, inducers are used in many cases. They considerably reduce the pump's NPSH throughout the pump's entire operation range without modifying the pump's characteristics. In most cases, it will be possible to retrofit pumps in the plant with an inducer without requiring major modification works.

#### **4.7 Pump with Closed Bearing Support L**

When a secondary sealing is required for bearing support design SLM GVNT /SLM GVST without impact on the constructional length of the pump, the design with closed bearing support will be used.

A radial shaft seal ring fitted in the bearing insert of the bearing support between the anti-friction bearings fulfils the function of a secondary sealing. The anti-friction bearings are grease lubricated for life.

#### **4.8 Thermal Barrier and Secondary Sealing S or W**

Being located between the bearing support (with bearing-support construction) or the driving motor (with close-coupled construction) and the hydraulic component, the thermal barrier helps to dissipate the product heat. Thus, the anti-friction bearing temperature is reduced when warm liquids are processed.

In addition, the thermal barrier can be equipped with a radial shaft seal ring, sealing the area to the outer magnet carrier. By way of a secondary sealing, the gasket prevents the liquid from immediately leaking to the atmosphere in case of a leakage of the isolation shell. A precondition for the use of the secondary sealing is the monitoring of the outer magnet carrier's area in order to detect any leakage in time.

## 1. General Instructions

Prior to installation, the pump should be checked for any damage it might have suffered during transport. The flange covers may only be removed right before installation.

When turning the pump shaft by hand, abrading noises may be heard from within the pump. These noises result from the grease-free assembly of the journal bearings. Having filled the pump with the pumped liquid, these noises will disappear.

KLAUS UNION cannot be held responsible for any damage resulting from inexperienced installation.

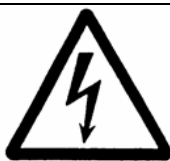
The pictorial representations have been simplified.



**Prior to installing the pump with the pertaining driving motor in areas subject to explosion hazards, ensure that the entire equipment has been approved for the prevailing explosion protection zone.**



**Instructions given in the operation manuals of the driving motor and the flexible coupling are to be observed.**



**The installation of electrical equipment is exclusively to be performed by qualified staff. Any regulations valid at the time are to be observed.**



**Magnet drives cause strong magnetic fields. Persons with a pacemaker should not stay close to the magnet drive or come into close bodily contact with parts of it.**

## **2. Installation Conditions**

Arrange pipework and equipment pertaining to the pump in a way to have enough space available for assembly and maintenance works. For dimensions of the pump refer to the attached installation plan.

The concrete foundation must have set before the pump is placed on it. The surface of the foundation must be plane and level.

## **3. Installation of Bearing-Support Pump Types**

### **SLM GVNT / SLM GVST / SLM GVOT**

#### **3.1 Installation of the Completely Assembled Unit**

The complete unit mounted on the base plate comprises pump, motor and flexible coupling. The coupling guard covering the flexible coupling serves as a protection against accidental contact.

Install the unit according to the installation plan and align it using a spirit level. Insert the foundation bolts in the foundation and grout them with a fast setting grout-mixture. Once the grout mixture has set, tighten the foundation bolts fast always applying the same tightening moment.

#### **3.2 Installation of the Partially Assembled Unit**

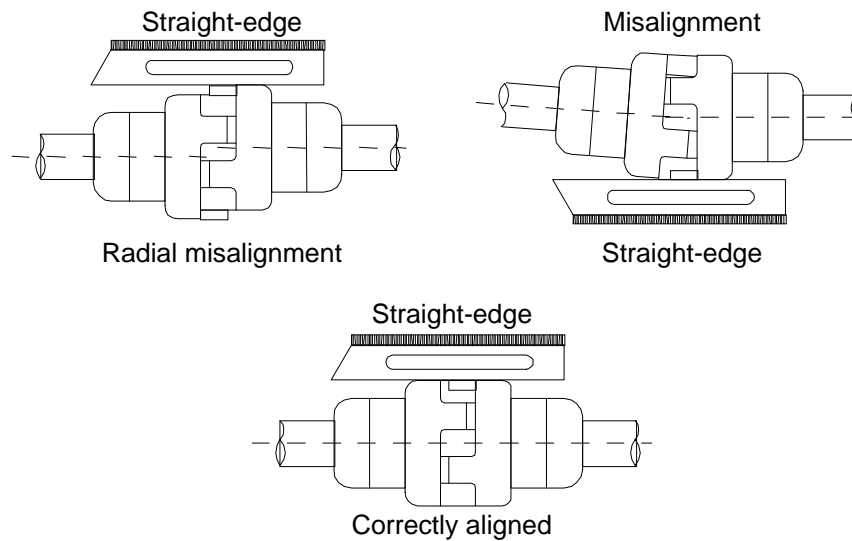
In case the pump unit is not supplied as a complete unit but in sub-assemblies such as pump, coupling, motor and base plate, the installation is effected as described hereafter:

Insert the key into the key groove of the motor-side shaft end. Fit the motor-side coupling half on the shaft by means of a standard draw-on device. The same procedure is to be followed for the pump-side coupling half.

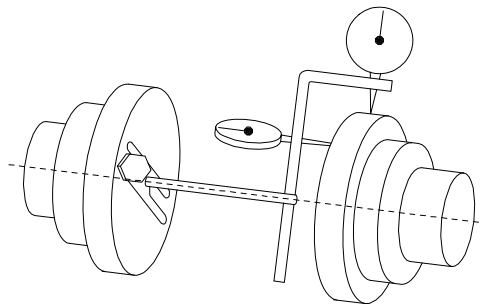
Align the axial distance between motor- and pump-side coupling halves according to the dimensions given in the installation plan. Compensate vertical shaft displacements by using plane-parallel shims.

Eliminate any misalignment of both coupling halves. Put a straight-edge on approx. 4 opposite points on the circumference of the coupling and observe the u. m. drawings.

The radial and axial variance between the two coupling halves must not exceed a maximum of 0.1 mm.



Align couplings with a diameter exceeding 120 mm with the help of a dial gauge.



Compensate a vertical displacement by placing underneath or removing plan-parallel shims. Fix pump and motor on the base plate with the bolts provided for that purpose.

Install the completely assembled and aligned unit according to the installation plan and align it using a spirit level. Insert the foundation bolts in the foundation and grout them with a fast setting grout-mixture. Once the grout mixture has set, tighten the foundation bolts fast always applying the same tightening moment.

### 3.3 Installation of Pumps Designed for Higher Liquid Temperatures

With pumps processing liquids at a working temperature exceeding 100°C, a misalignment can occur in the flexible coupling due to the different thermal expansion of motor and pump. The excessive misalignment can result in vibrations and higher wear on the flexible coupling and the anti-friction bearings.

For the correct installation of the unit, the pump must be operated in the plant to achieve its working temperature. Having shut down the unit, check the axial and radial shaft misalignment of both coupling halves. Prior to measuring the shaft misalignment, release the bolts of the support (part no. 901.6). If any shaft misalignment is assessed, it must be compensated by putting plane-parallel shims underneath motor and/or support.

## 4. Installation of the Close-Coupled Pump Type SLM GVBT

The complete unit comprises motor and pump being supplied by KLAUS UNION completely mounted on a base plate.

Install the unit according to the installation plan and align it using a spirit level. Insert the foundation bolts in the foundation and grout them with a fast setting grout-mixture. Once the grout mixture has set, tighten the foundation bolts fast always applying the same tightening moment.

## 5. Pipework

Any pipework being connected should be state of the art and designed for the respective operating conditions. Ensure that the forces and moments transmitted by the pipework do not exceed the admissible values. (Admissible pipework forces and moments will be indicated in the following).

The pipework must be free of any impurities such as weld slag or scale. Avoid disturbance of the pump flow by variable velocity or irrational flow to the pump inlet. Such disturbances will adversely affect the pump capacity, the smooth operation and the NPSH characteristics of the pump.

When connecting the pipework make sure that as little tension as possible occurs. Refer to instructions such as given in VDMA standard VDMA 24277 „Spannungsarmer Rohrleitungsanschluß“ (Low-tension connection of pipework).



**Exceeding the admissible pipework forces and moments as well as tensions on the connections can result in escapes and leakages. In such a case, toxic and hot liquids will pose danger to life.**

## 5.1 Suction-Side Pipework

The construction of the suction-side pipework shall have as few baffles (bends, valves, etc.) as possible because these elements are often responsible for variable velocity and eddying. Avoid disturbances by asymmetric feed stream. When modifying nominal diameters use conical sections. If a shut-off valve is used, it must always be completely open during operation and it must never be used to control the rate of flow.

Always install the suction pipe ascending to the pump. When dimensioning the suction pipe, ensure that the flow velocity does not exceed 2 m/s.

Feed pipes must be installed descending to the pump. The flow velocity must not exceed 2.5 m/s.

For liquids being processed close to their boiling point, the flow velocity shall not exceed 0.8 m/s.

## 5.2 Pressure Pipework

Right behind the pump, a control valve must be available to control the rate of flow. A check valve must be provided between pump and shut-off valve when long pressure pipework or static delivery heads exceeding 10 m are given. The check valve protects the pump against liquid reflux and runback at shutdown. The flow velocity shall not exceed 5 m/s.

When modifying nominal diameters use conical sections.

## 6. Admissible Forces and Moments

The forces and moments the pipework transmits on the pump flanges must not exceed the values indicated. The values have been determined on the basis of DIN ISO 5199 „Centrifugal pumps, technical requirements, class II“ (Edition December 2003).

The values indicated apply to pump casings PN40 and higher made of cast steel, stainless steel and Hastelloy up to a temperature of 120°C. For temperatures up to 250°C the values indicated shall be multiplied by 0.95 and for temperatures up to 350°C the values shall be multiplied by 0.9.

In case other materials or temperatures are involved, please contact KLAUS UNION.

Table 1: Admissible forces and moments acting on the suction flange

Dia- meter DN	Force [N]			Moment [Nm]
	F <sub>x</sub>	F <sub>y</sub>	F <sub>z</sub>	∑ M
065	1260	1020	1110	1190
080	1500	1230	1350	1295

Table 2: Admissible forces and moments acting on the discharge flange

Dia- meter DN	Force [N]			Moment [Nm]
	F <sub>x</sub>	F <sub>y</sub>	F <sub>z</sub>	∑ M
032	540	630	510	770
040	660	750	600	980

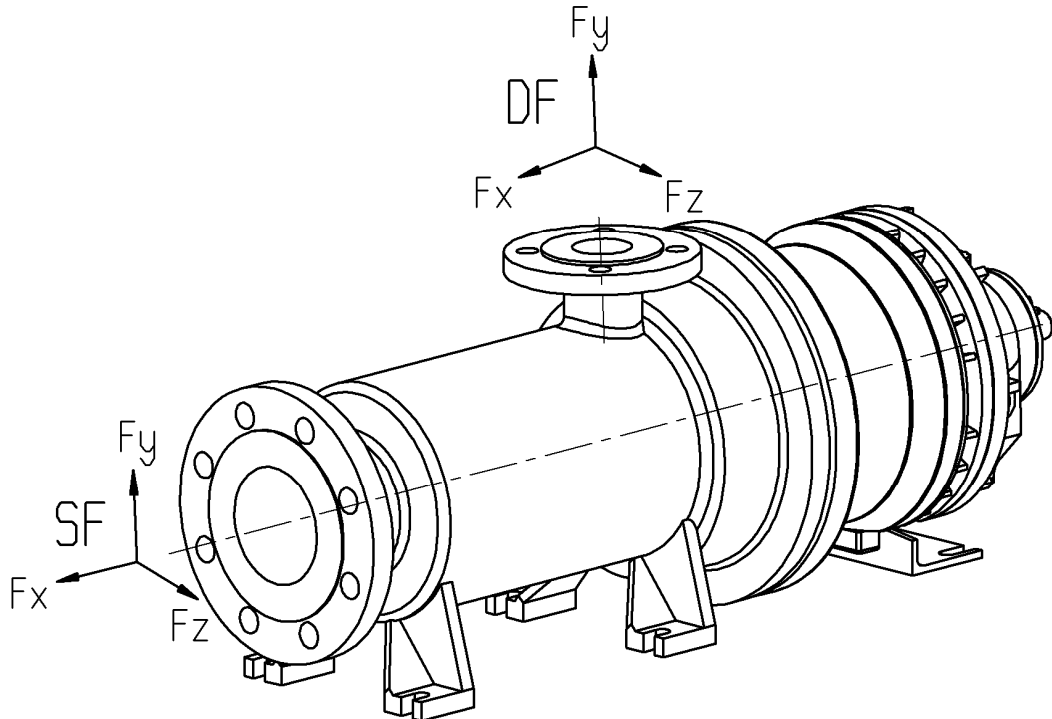
If not all of the loads acting on the flanges reach the maximum admissible values, one of these loads may exceed the usual limiting value provided the following additional equations of condition are fulfilled:

- Any components of a force or moment must be limited to the maximum admissible value multiplied by 1.4.
- The forces and moments actually acting on each flange must fulfil the following equation of condition:

$$\left( \frac{\sum |F|_{existing}}{\sum |F|_{max}} \right)^2 + \left( \frac{\sum |M|_{existing}}{\sum |M|_{max}} \right)^2 \leq 2$$

The equation of condition must be verified for each flange.





## 7. Auxiliary Connections

Depending on the construction type, the pump can be equipped with connections for heating, draining and monitoring. Refer to the installation plan attached to the pump for the exact location of those connections.



If the pump is fitted with a heating jacket, the temperature of the heating medium must not exceed the maximum allowable surface temperature of the pump.



The ignition temperature of the heating liquid must be at least by 50°C higher than the maximum surface temperature of the pump.



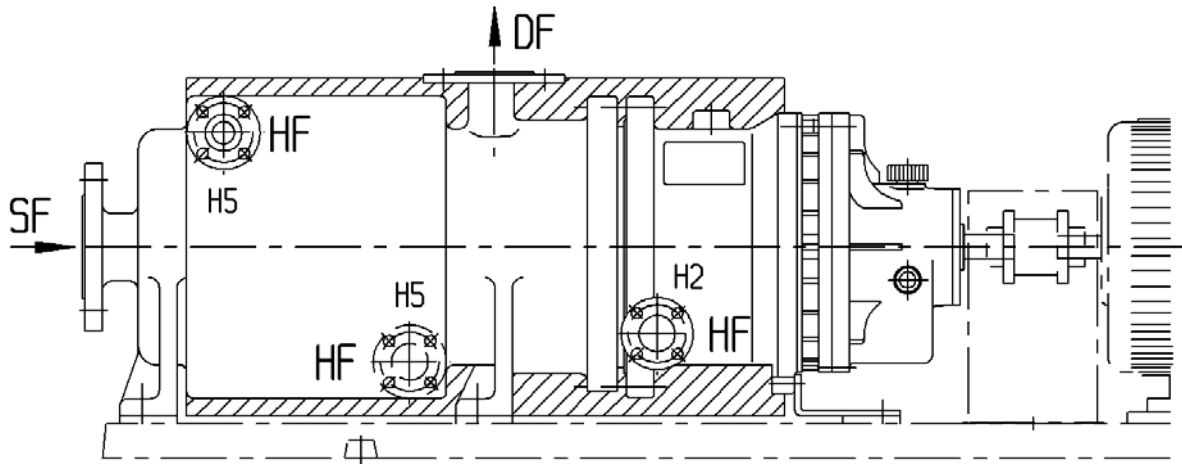
The instruments for the monitoring of the pump such as temperature sensors, pressure sensors, etc. must have the corresponding approval for use in areas subject to explosion hazards.

## 8. Insulation



**Exclusively insulate the pump in the area shown below.**

**It is to be made sure that the areas of the anti-friction bearings and the thermal barrier (in case the pump is fitted with one) are not insulated.**



## 9. Electrical Connection



**The electrical connection of the driving motor must be performed by a skilled person. The relevant regulations on that subject are to be observed.**



**An earthing cable is to be provided between pump unit and foundation for equipotential bonding.**

## 1. Preparations for Commissioning



The correct functioning of the journal bearings is a precondition to prevent the outer magnet carrier from running into the intermediate lantern and thus to prevent the occurrence of unacceptably high temperatures.



If the pump was not explicitly ordered free from oil and grease, there will be residues of anti-seize paste on wetted components. Prior to commissioning, compatibility of the anti-seize paste with the pumped liquid shall be checked.  
In case of uncertainty, please contact KLAUS UNION.

### 1.1 **Bearing Support with Grease-Lubricated Anti-Friction Bearings SLM GVNT, SLM GVST**

Pumps of bearing-support construction with grease-lubricated anti-friction bearings are supplied fully greased.

Shortly after commissioning and as a precaution, the bearings should be relubricated with the pump running by means of a relubricating device (lubrication nipple part no. 630.2). (For further details regarding type and quantity of the lubricants to be used and the appropriate relubricating intervals refer to section "Maintenance" of this operation manual.)



By all means, observe the prescribed quantity of grease. In case the quantity of grease filled in is either too low or too high, failure of the anti-friction bearings will occur.

### 1.2 **Bearing Support with Oil-Lubricated Anti-Friction Bearings SLM GVOT**



In case of pumps of bearing-support construction equipped with oil-lubricated anti-friction bearings, the bearing support must be filled with lubricating oil prior to initial commissioning.



Always observe the prescribed oil level. The oil level being either too high or too low will result in failure of the anti-friction bearings.

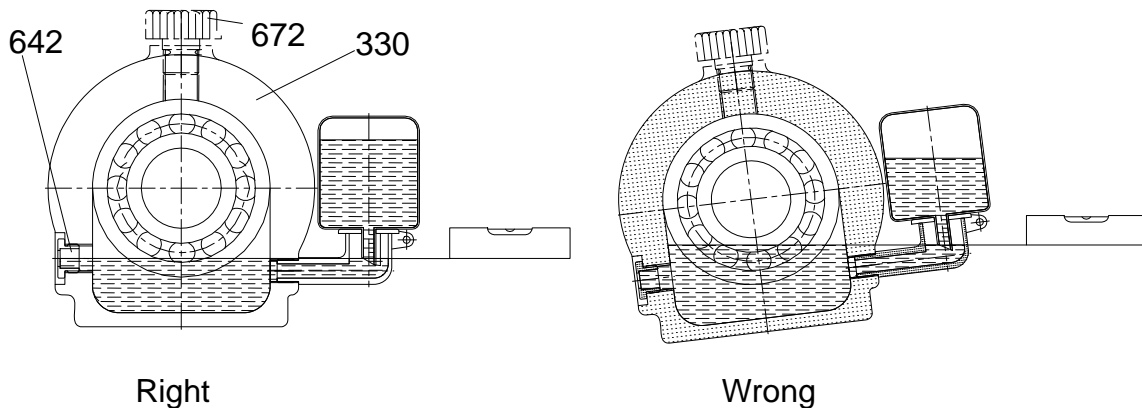
For recommended types of oil refer to section "Maintenance" of this operation manual.

### 1.2.1 Construction with gauge

To fill the bearing support with lubricating oil, remove vent plug (part no. 672) and fill the bearing support with oil until half of the gauge (part no. 642) is covered with oil.

### 1.2.2 Construction with Constant-Level-Oiler

To fill with oil, remove vent plug (part no. 672). Fill oil into the bearing support (part no. 330) until the oil becomes visible in the screwed socket with the oil reservoir folded back. Then fill the oil reservoir through the chamfered drain pipe and fold it back. Now the oil level adjusts to the required level. As long as there is oil in the oil reservoir, the Constant-Level-Oiler will ensure that the oil level is always correct.



### 1.3 Checking the Direction of Rotation

The motor's direction of rotation must correspond with the direction-of-rotation arrow on the intermediate lantern.



**Only check the direction of rotation with the pump filled (close-coupled construction) or with the motor uncoupled (bearing-support construction).**

### 1.4 Filling and Venting

Filling and venting of pump and plant are carried out simultaneously. Prior to filling the pump, fully open any valves in suction and pressure pipes. During the filling process turn the pump shaft by hand. For that purpose, the current feed to the motor must be interrupted and the coupling guard removed. No air pockets must remain in the system. Air and gas pockets will result in the immediate failure of the pump.



When a pump is operated which has not been completely filled, an ignition source can develop due to excessive heat input. When being operated in areas subject to explosion hazards, the pump must be completely filled. If the operating company cannot ensure the complete filling of the pump, appropriate monitoring measures must be taken.

If it is not possible to vent the pump via the pressure pipe, e. g. because a check valve is installed in the pipe, the pump must be vented via a separate ventilating valve on the discharge side.

## 2. Monitoring Equipment



When the pump is operated in areas subject to explosion hazards, it may be necessary for the operating company to install monitoring devices to ensure that the pump does not become an ignition source. Essentially, ignition sources are hot surfaces and sparks (when rotating components contact). If required, KLAUS UNION can offer advice and support concerning the choice and purchase of monitoring equipment.

For installation, commissioning and operation of the monitoring equipment observe the corresponding operation manuals supplied with the instruments.

## 3. Commissioning

Completely open all suction-side shut-off valves and slightly open the control valve in the pressure pipe.



To prevent the pump from excessively heating up, never operate it against closed control valve on the discharge side. For start-up, the discharge-side control valve must be sufficiently open for the minimum rate of flow  $Q_{\min}$ .

Switch on the motor.

If the delivery pressure does not increase despite rising speed, the pump has to be switched off immediately and vented again carefully.

When the pressure gauge indicates delivery pressure, slowly open the control valve in the pressure pipe until the duty point is reached. The rate of flow can be increased in accordance with the characteristic curve until a point is reached where the motor would be overloaded.

In case either the operation parameters are modified or they no longer correspond with the ones stipulated in the order (delivery head, rate of flow  $Q_{\min}$  and  $Q_{\max}$ , viscosity, density, liquid temperature), it is to be checked whether:

- the magnet drive is still sufficient,
- the motor is not overloaded,
- on suction condition the suction head to be overcome does not get too high,
- on feed condition the available feed head is still sufficient,
- the maximum allowable temperature is not exceeded.



**With liquid temperatures exceeding 100 °C it must be observed that during commissioning or in case of varying operating conditions the maximum speed in temperature changing does not exceed 25 °C per minute.**



**On initial start-up, operate the pump for at least 3 hours under operation conditions while checking for unusual noises and high temperatures on the pump surface. Measure the surface temperature with commercially available surface temperature meters.**



**In rare cases it may happen during acceleration of the pump that the magnet drive desynchronises ("breakaway of magnet drive"). This condition can be detected by monitoring the delivery head, capacity and pump power output. Operation of the pump with a desynchronised magnet drive can cause excessive temperatures.**

#### 4. Minimum and Maximum Rate of Flow

Unless otherwise indicated in the pump's data sheet, the following limiting values should be observed:

Continuous operation:

Minimum rate of flow	$Q_{\min} = 0.3 \times Q_{\text{opt}}$
Maximum rate of flow	$Q_{\max} = 1.1 \times Q_{\text{opt}}$

Short-time operation:

Minimum rate of flow	$Q_{\min} = 0.1 \times Q_{\text{opt}}$
Maximum rate of flow	$Q_{\max} = 1.2 \times Q_{\text{opt}}$

#### 5. Shutdown

Switch off the motor and close the shut-off valves. Drain the pump completely if it is switched off for dismantling purposes.

## 1. General

Please observe the instructions given in the section "Safety" of this operation manual when carrying out any maintenance works.

During the guarantee period, any maintenance works are either to be performed by KLAUS UNION staff or with KLAUS UNION's authorisation. Dismantling and re-assembly of the pump type SLM GV of Barrel Design with impeller 160 have to be carried out by qualified staff.

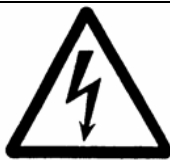


**Magnet drives cause strong magnetic fields. Persons with a pacemaker should not stay close to the magnet drive or come into close bodily contact with parts of it.**



**Pumps processing dangerous liquids are to be decontaminated.**

**When draining the pump, any danger to persons and environment must be precluded.**



**On principle, the driving motor must have been de-energized prior to effecting any works on pumps. Unintentional energizing of the pump must be precluded.**

## 2. Lubrication of Bearings

### 2.1 Journal Bearings

The journal bearings are lubricated by the pumped liquid. When the pump is operated to its designated use, the journal bearings will be provided with a sufficient quantity of lubricant and they will be resistant to wear and maintenance-free. Concerning monitoring of operation to designated use, refer to instructions given in sub-section "Inspection and Maintenance".



**If the pump has run dry unintentionally, the pump must be allowed to cool down for a longer time. If the pump is filled with cold liquid immediately upon its dry-running, the journal bearings may be destroyed.**

**After longer periods of dry-running, the pump must be dismantled and the journal bearings must be checked for any damage.**



## 2.2 Anti-Friction Bearings



To avoid the anti-friction bearings becoming an ignition source, the anti-friction bearings must be maintained according to the instructions given in the operation manual.

The anti-friction bearings are designed for a rated working life of 25000 hours at a bearing temperature of 90°C. Replace the anti-friction bearings after 90 % of their service life at the latest. However, the working life of the bearings can reduce due to higher bearing temperatures and unfavourable operating conditions (strong vibrations, aggressive environmental conditions, etc.).

### 2.2.1 Grease-Lubrication of Bearing-Support Construction SLM GVNT, SLM GVST

For lubrication, use a high-quality anti-friction grease on lithium soap basis to DIN 51825 of the following properties:

- Basic oil: Mineral oil
- Basic oil viscosity at 40°C: abt. 90 mm<sup>2</sup>/s
- Consistency (NLGI grade): 2 to 3



When mixing various types of lubricants it may happen that the consistency is changed in a way that sufficient lubrication of the bearings is no longer guaranteed. If it is not clear whether the lubricants can be mixed, the previously used lubricant has to be removed from the bearing completely.

#### 2.2.1.1 First Filling

If the pump has not been used for long periods (more than 1 year) the grease has to be replaced. Refer to the table for the exact quantities of grease required.

Pump Size		Quantity of Grease [cm <sup>3</sup> ]	
Impeller Ø [mm]	Bearing	GVNT	GVST
160	13E	70	100

### 2.2.1.2 Regreasing During Operation

Depending on the temperature of the anti-friction bearings and the pump speed, different relubricating intervals are to be observed:

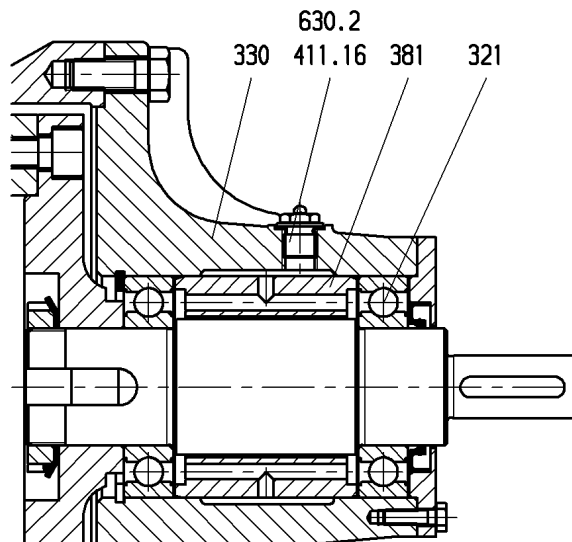
Temperature of Anti-Friction Bearings	Pump Speed	Regreasing Intervals
Up to 100°C	1450 / 1750 1/min	5000 h
	2900 / 3500 1/min	3500 h
More than 100°C	1450 / 1750 1/min	1800 h
	2900 / 3500 1/min	650 h

Regreasing of the bearings can be carried out either during operation or standstill.



**When regreasing the anti-friction bearings during operation mind the danger due to rotating shafts.**

Lubricate the ball bearings (part no. 321) with 10 g of grease. Regreasing is effected by means of a grease gun via the lubricating nipple (part no. 630.2) located in the bearing support (part no. 330).

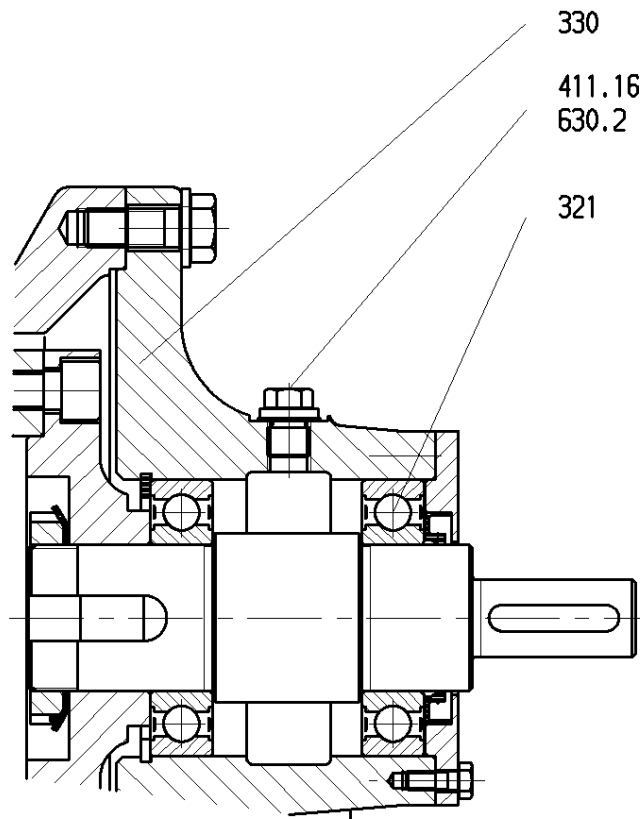


### 2.2.2 Permanent Grease-Lubrication for Bearing Support Design SLM GVNT, SLM GVST

On customer requirement, pumps of smaller sizes will be equipped with permanent grease-lubricated anti friction bearings (part no. 321). Unless otherwise specified, the anti-friction bearings will be fitted with two sealing discs and filled with standard grease on lithium-soap basis. The minimum usable life of the grease depends on the temperature of the anti-friction bearings and the pump speed:

Temperature of Anti-Friction Bearings	Pump Speed	Minimum Usable Life of the Grease
max. 55°C	1450 / 1750 1/min	40 000 h
	2900 / 3500 1/min	20 000 h
max. 70°C	1450 / 1750 1/min	20 000 h
	2900 / 3500 1/min	10 000 h

Contrary to the standard design with regreasing facility, the bearing support (part no. 330) will not be equipped with a grease nipple but with a screwed sealing plug (part no. 630.2). The screwed sealing plug (part no. 630.2) shall seal the opening and must neither be opened nor removed.



### 2.2.3 Oil-Lubrication of Bearing-Support Construction SLM GVOT

The oil has to be changed at least once a year or after a certain number of operating hours depending on the temperature of the anti-friction bearings.

Anti-friction-bearing temperature	Operating hours
Up to 80 °C	8000
More than 80°C	5000

Shut the pump down for the oil change.

Refer to the following table for the oil quantities required for the respective pump size.


Pump Size		Quantity of Oil <b>GVOT</b>
Impeller Ø [mm]	Bearing	
160	13E	ca. 450 ml

When using a Constant-Level-Oiler, the additional quantity of oil amounts to 110 ml.

For normal applications (pump temperature < 250°C, ambient temperature between -10°C and 40°C) a lubricating oil on the basis of mineral oil with viscosity grade ISO-VG 68 to DIN 51519 can be used. For special applications at higher temperatures (temperature of the pumped liquid exceeding 250°C), lower temperatures (temperature up to -60°C) or when a wide temperature range needs to be covered, a synthetic lubricating oil with viscosity grade ISO-VG 100 is recommended.

## 3. Inspection and Maintenance

### 3.1 Inspection During Operation

	<p>To prevent the occurrence of ignition sources, which can be caused by failures and result in an explosion, the operating company has to take measures for monitoring the pump.</p>
---	---

Failures occurring during operation can cause the occurrence of an ignition source on the pump that can lead to an explosion when an explosive atmosphere is given. Examples for ignition sources: hot surfaces, sparks and discharge by electrostatic charging. The following table lists possible malfunctions and measures to prevent that these malfunctions result in the occurrence of an ignition source:

Malfunction	Possible Consequences	Measures
Operation with wrong direction of rotation	Overheating of the isolation shell	Monitoring of <ul style="list-style-type: none"> <li>• Delivery head or</li> <li>• Capacity or</li> <li>• Pump output or</li> <li>• Isolation shell temperature</li> </ul>
Dry-running as a result of incorrect commissioning (pump not filled and vented)	Overheating of the isolation shell	Monitoring of <ul style="list-style-type: none"> <li>• Delivery head or</li> <li>• Capacity or</li> <li>• Pump output or</li> <li>• Isolation shell temperature</li> </ul>
Throttling of the suction side shut-off valve or clogging of a filter in the suction pipework	Overheating of the isolation shell caused by vaporization in the pumped liquid or by cavitation within the pump	Monitoring of <ul style="list-style-type: none"> <li>• Delivery head or</li> <li>• Capacity or</li> <li>• Pump output or</li> <li>• Isolation shell temperature</li> </ul>
Pumping of non-specified liquid (liquid temperature too high)	The allowable surface temperature is exceeded	Monitoring of <ul style="list-style-type: none"> <li>• Liquid temperature or</li> <li>• Isolation shell temperature</li> </ul>
Pumping of non-specified liquid (liquid density too high)	Breakaway of magnet drive due to exceeding of the allowable transmission capacity	Monitoring of <ul style="list-style-type: none"> <li>• Delivery head or</li> <li>• Capacity or</li> <li>• Pump output or</li> <li>• Isolation shell temperature</li> </ul>

Malfunction	Possible Consequences	Measures
Pumping of non-specified liquid (liquid viscosity too high)	Breakaway of magnet drive due to exceeding of the allowable transmission capacity. Overheating of the isolation shell due to flush flow being too low	Monitoring of <ul style="list-style-type: none"> <li>• Delivery head or</li> <li>• Capacity or</li> <li>• Pump output or</li> <li>• Isolation shell temperature</li> </ul>
Pumping of non-specified liquid (thermal capacity of the liquid too low)	Vaporization of liquid in the pump	Monitoring of <ul style="list-style-type: none"> <li>• Delivery head or</li> <li>• Capacity or</li> <li>• Pump output or</li> <li>• Isolation shell temperature</li> </ul>
Pumping less than the specified minimum flow	Vaporization of liquid in the pump	Monitoring of <ul style="list-style-type: none"> <li>• Capacity or</li> <li>• Pump output or</li> <li>• Isolation shell temperature</li> </ul>
Breakaway of magnet drive on commissioning or by overload of the magnet drive	Overheating of the isolation shell	Monitoring of <ul style="list-style-type: none"> <li>• Delivery head or</li> <li>• Capacity or</li> <li>• Pump output or</li> <li>• Isolation shell temperature</li> </ul>
Damage to the anti-friction bearings due to non-observance of maintenance instructions	Overheating of anti-friction bearings, heat caused by friction between rotating and stationary components	Monitoring of <ul style="list-style-type: none"> <li>• Anti-friction-bearing temperature or</li> <li>• Anti-friction-bearing vibration</li> </ul>
NPSH of the plant is lower than NPSH of the pump	Vaporization of liquid in the pump	Monitoring of <ul style="list-style-type: none"> <li>• Delivery head or</li> <li>• Capacity or</li> <li>• Pump output or</li> <li>• Isolation shell temperature</li> </ul>

For monitoring of the driving motor and the flexible coupling, observe the instructions given in the respective operation manuals.

### 3.1.1 Monitoring of the Pump Output

The pump power input indicates whether the pump is operated to its designated use. Moreover, any malfunctions or damage to the pump can be inferred from the pump output. KLAUS UNION recommend the use of appropriate monitoring instruments in areas subject to explosion hazards as well as in non-hazardous locations and offer such devices on request. The instruments will be installed in the control cabinet and thus do not have to be approved for hazardous areas.

### 3.1.2 Monitoring the Isolation Shell Temperature

Many malfunctions have a direct effect on the temperature of the isolation shell. As the surface temperature on the outside of the isolation shell can be a direct ignition source in hazardous areas, it is recommended to use an instrument to monitor the isolation shell temperature particularly when the pump is used in hazardous areas.

KLAUS UNION can offer suitable instruments for that purpose.

### 3.1.3 Vibration Monitoring

The measuring of vibrations is particularly suitable to monitor the anti-friction bearings. Refer to the table for the allowable rate of vibrations. The rate of vibrations has to be measured horizontally and vertically to the shaft axis on the coupling-side end of the bearing support. If the rates of vibrations thus determined exceed the maximum allowable values, the cause has to be found.

Speed n	Maximum effective Rate of Vibrations $v_{\text{eff}}$ (mm/s) depending on the Shaft Height $h_1$ of the Pump	
	$h_1 \leq 225$ mm	$h_1 > 225$ mm
[min <sup>-1</sup> ]	[mm/s]	[mm/s]
$n \leq 1800$	2.8	4.5
$1800 < n \leq 4500$	4.5	7.1

## 3.2 Maintenance

The following descriptions of maintenance works to be executed require that the pump has already been partially dismantled. Check the parts for their re-usability and replace damaged components using new original spare parts.

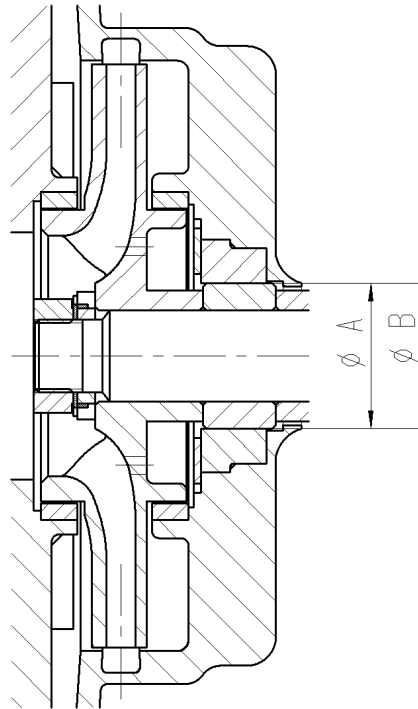


**If the clearance between rotating and stationary components is too narrow, it may happen that these components contact and the resulting frictional heat entails excessive temperatures.**

### 3.2.1 Journal Bearings

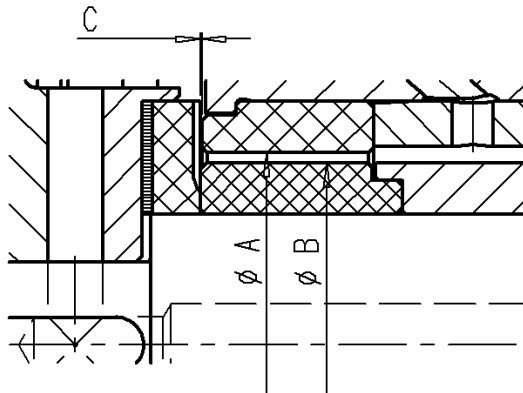
Replace the journal bearing or parts of it using new original spare parts when the slide faces show visible signs of wear (e. g. traces of grooves from running). Refer to the following table for dimensions of bearing sleeves and bearing bushes as well as for the axial clearance of the journal bearing.

#### 3.2.1.1 Journal Bearing in the Suction Cover



Pump Size		Inner Diameter Bearing Bush SiC Ø A	Outer Diameter Bearing Sleeve SiC Ø B	Inner Diameter Bearing Bush Carbon Ø A	Outer Diameter Bearing Sleeve Carbon Ø B
Impeller Ø [mm]	Bearing				
160	13 E	40 <sup>+0,025</sup>	39,86 <sub>-0,06</sub>	40 <sup>+0,025</sup>	39,86 <sub>-0,06</sub>



**3.2.1.2 Journal Bearing in the Pressure Casing**

**SiC-Bearing**

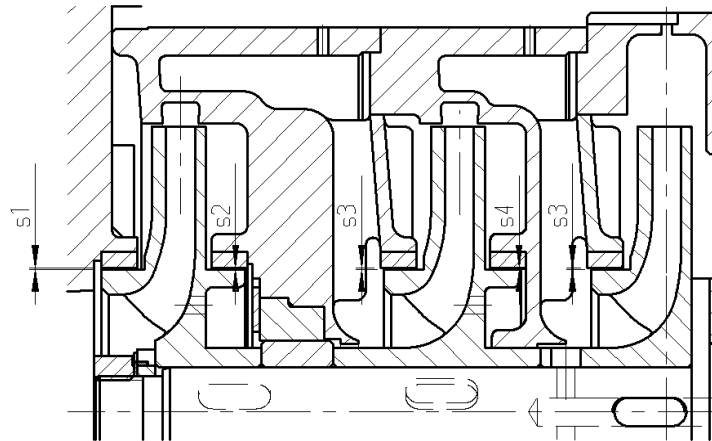
Pump Size		Inner Diameter Bearing Bush	Outer Diameter Bearing Sleeve	Thrust Bearing Clearance
Impeller Ø [mm]	Bearing	Ø A	Ø B	C
160	13 E	53 <sup>+0,030</sup>	52,98 <sub>-0,01</sub>	0,5 ±0,1

**Carbon-Bearing**

Pump Size		Inner Diameter Bearing Bush	Outer Diameter Bearing Sleeve	Thrust Bearing Clearance
Impeller Ø [mm]	Bearing	Ø A	Ø B	C
160	13 E	53 <sup>+0,030</sup>	52,90 <sub>-0,02</sub>	0,5 ±0,1

### 3.2.2 Impeller Clearance

Replace the impellers (part no. 230.1 / part no. 230.2 / part no. 230.3) or (construction with wear ring) the wear rings (part no. 512.1 / part no. 512.2) using new original spare parts when the maximum radial clearances are exceeded:



Pump Size			Minimum Radial Clearance [mm]	Maximum Radial Clearance [mm]
Impeller Ø [mm]	Bearing	Throttling Gap Ø [mm]		
			s1 – s4	s1 – s4
160	13 E	80 bis 100	0,30	0,55

#### 4. Dismantling

For assembly and dismantling, the following KU-special tools are available:

Designation	Id.-No.
Clamping Aid for Magnet Carrier Size 13E	P00001045
Assembly Aid Shaft Nut Drive Shaft KM 9	P00548891

#### 4.1 Preparations

- Isolate the current feed to the motor.
- Close the valves in suction and pressure pipework.
- Dispose of the remaining residual liquid in the pump.
- Remove the coupling guard.
- When using a flexible coupling with cartridge unit: dismantle the cartridge unit. The motor can remain installed on the base plate. When using a flexible coupling without cartridge unit, remove the motor from coupling and base plate.
- Remove the pump-side coupling half from the pump's shaft end.

**ATTENTION****Use an offset cam for dismantling of the coupling.**

- Disconnect suction and pressure nozzles of the pump from the pipework.

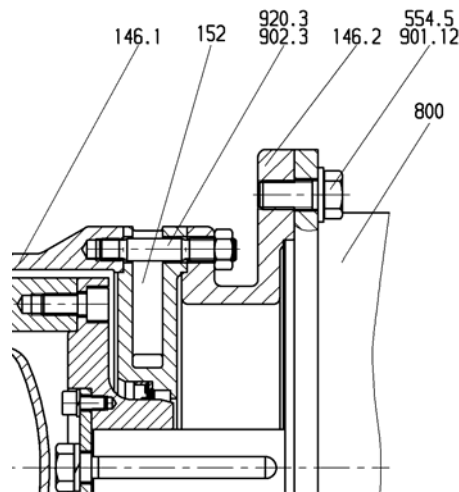
#### 4.2 Dismantling of the Pump

**ATTENTION****For assembly and dismantling of the pump, refer to the pertaining sectional drawing.**

It is recommended to use the specified KU-special tools.

#### 4.2.1 Pumps of Close-Coupled Construction Type SLM GVBT

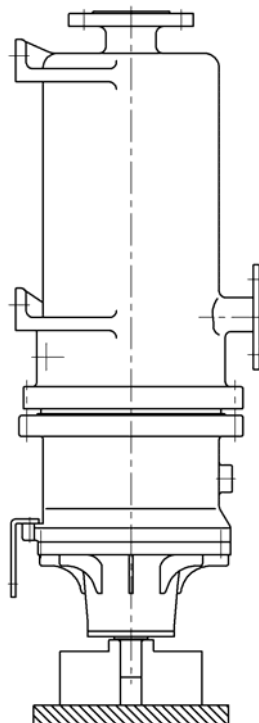
To dismantle the close-coupled pump, first remove the motor lantern (part no. 146.2) together with the motor from the intermediate lantern (part no. 146.1). The pump is then placed vertically on the intermediate lantern. Further dismantling of the close-coupled pump as described for construction type with bearing support.



#### 4.2.2 Pumps of Bearing-Support Construction Type SLM GVNT, SLM GVST and SLM GVOT

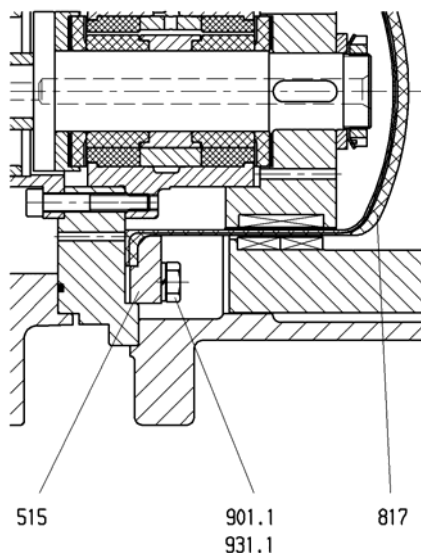
With pumps of construction type with oil-lubricated SLM GVOT anti-friction bearings, prior to dismantling the lubricating grease must be drained from the bearing support (part no. 330) via the oil drain plug (part no. 903.8).

For dismantling, the pump should be positioned as indicated in the following drawing.

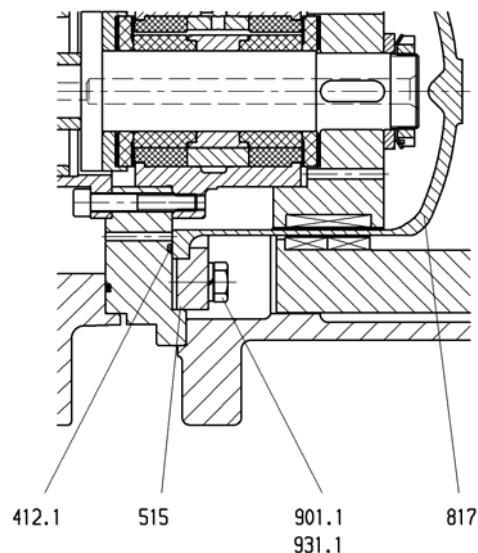


- Release and remove assembly stud nuts (part no. 920.1) and the stud bolts / assembly stud bolts (part no. 902).
- Pull the complete unit comprising pump casing (part no. 101)/ multi stage casing (part no. 108)/ isolation shell (part no. 817) with a suitable lifting device off the intermediate lantern (part no. 146.1).
- Position the complete unit comprising pump casing / multi stage casing / isolation shell with the suction nozzle on a stable support and secure it.
- Unscrew the cap screws (part no. 901.1) at the isolation shell flange and dismantle the isolation shell. Use the forcing threads in the isolation shell flange provided for that purpose.
- **With plastic or ceramics isolation shell:**  
Unscrew the cap screws (part no. 901.1) at the straining ring (part no. 515), dismantle straining ring and isolation shell.

Plastic Isolation Shell



Ceramics Isolation Shell



- Release the lock washer (Pos. 931.2), remove shaft nut (Pos. 921.2) , spacer / washer (Pos. 504.4) and the inner magnet carrier (Pos. 818.2).
- Remove the thrust bearing (part no. 314) at the driving end including the elastomer disk (part no. 504.2)
- Pull the multi stage casing (part no. 108) together with the bearing bush (part no. 545.1) off the shaft (part no. 211).
- Unscrew the cap screws (part no.. 901.3) at the multi stage casing (part no. 108) and remove the multi stage casing.
- Carefully pull bearing sleeves (part no. 529.1) / distance sleeve (part no. 525) and pump-side thrust bearing (part no. 314) with holder (Pos. 386) off the shaft.

**Magnet Drive:**

- Release the cap screws (part no. 901.18) or assembly stud nuts (part no. 920.3) and pull the intermediate lantern (part no. 146.1) off the bearing support (part no. 330). Use the forcing threads in the bearing support provided for that purpose.
- Remove the lock washer (part no. 931) and release the shaft nut (part no. 921) (use of KU-special tool is recommended). Pull the complete outer magnet carrier (part no. 861 and 818.1) off the drive shaft (part no. 213).
- Remove the bearing support from the assembly aid and position it horizontally on a stable support.
- Unscrew cap screws (part no. 901.17) and remove bearing cover (part no. 360). Use the forcing threads provided for that purpose.
  
- **For Grease-Lubricated Construction without Thermal Barrier:**
  - Remove the snap ring (part no. 932).
  
- **For Closed Bearing Support with Permanent Grease Lubrication:**
  - Remove the snap ring (part no. 932).
  
- **For Grease-Lubricated Construction with Thermal Barrier:**
  - Dismantle thermal barrier (part no. 152) with / without shaft seal ring (part no. 421.3) and shaft sleeve (part no. 525.1).
  - Remove the snap ring (part no. 932).
  
- **For Oil-Lubricated Construction:**
  - Dismantle thermal barrier (part no. 152) with shaft seal ring (part no. 421.3) and shaft sleeve (part no. 525.1).
  - Remove the snap ring (part no. 932).
  
- **For Oil-Lubricated Construction with Labyrinth Sealing:**
  - Remove the snap ring (part no. 932.2).
  - Dismantle thermal barrier (part no. 152) with bearing cover (part no. 360.2) and shaft sleeve (part no. 525.1).
  - Remove the snap ring (part no. 932).
  
- Remove the bearing unit [drive shaft (part no. 213), ball bearing (part no. 321)], bearing insert (part no. 381 with grease-lubricated construction) from the bearing support.
- Dismantle the ball bearings with standard offset cams.

**Hydraulic:**

- Push the complete hydraulic component by means of forcing screws out of the pump casing (part no. 101).
- Firmly secure the shaft (part no. 211) including the complete hydraulic component in a suitable clamping device.
- Remove the impeller screwing (part no. 922) and pull the suction impeller (part no. 230.1) off the shaft.
  
- For pump construction with inducer, the screwing (part no. 901.19 / part no. 931.3) is be released and removed. Turn the inducer (part no. 236) off the impeller screwing (part no. 922). Release the impeller screwing (part no. 922) and pull the impeller off the shaft.
  
- Remove the first guide wheel (part no. 175.1) together with the bearing bush (part no. 545.4).
- Depending on the number of pump stages, remove any further guide wheels (part no. 175) and impellers (part no. 230.3).
- Pull the impeller (part no. 230.2) off the pump shaft.

## 5. Re-Assembly

Prior to re-assembly, check the usability of all pump components. During assembly, the anti-friction bearings must be protected from dirt and moisture. Any sealing surfaces are to be cleaned carefully, used static gaskets are to be replaced by new ones. Check the clearances and the journal bearing for wear as indicated above.

Fitting surfaces and screwed connections have to be coated with graphite or a similar agent. Where components in contact with the liquid are concerned, make sure that the antiseize agent used is compatible with the pumped liquid.



**When replacing the outer magnet carrier tube and/or outer magnet carrier hub by original spare parts, this unit must be assembled prior to balancing. (Balancing quality class G 6.3 to DIN ISO 1940).**

### 5.1 Magnet Drive

#### 5.1.1 Bearing-Support Construction SLM GVNT, SLM GVST, SLM GVOT

- Heat the ball bearing (part no. 321) to abt. 80°C and push it on the drive shaft (part no. 213).
- **For Grease-Lubricated Construction without Thermal Barrier:**
  - Push the bearing insert (part no. 381) on the drive shaft.
  - Heat the second ball bearing to abt. 80°C and mount it on the drive shaft.
  - Heat the bearing support to abt. 80 °C in the bearing seat area.
  - Insert the snap ring (part no. 932) into the bearing support (part no. 330).
  - Push the drive shaft equipped with anti-friction bearings into the bearing seat.
  - Insert the radial shaft seal ring (part no. 421.2) into the bearing cover (part no. 360), mount the bearing cover to the bearing support by means of cap screws (part no. 901.17).

#### **ATTENTION**

**During installation of the radial shaft seal ring (part no. 421.2) into the bearing cover (part no. 360) takes care to observe the correct assembly direction.**



- **For Closed Bearing Support with Permanent Grease Lubrication:**
  - Insert the secondary sealing (part no. 421.3) into the bearing insert (part no. 381).

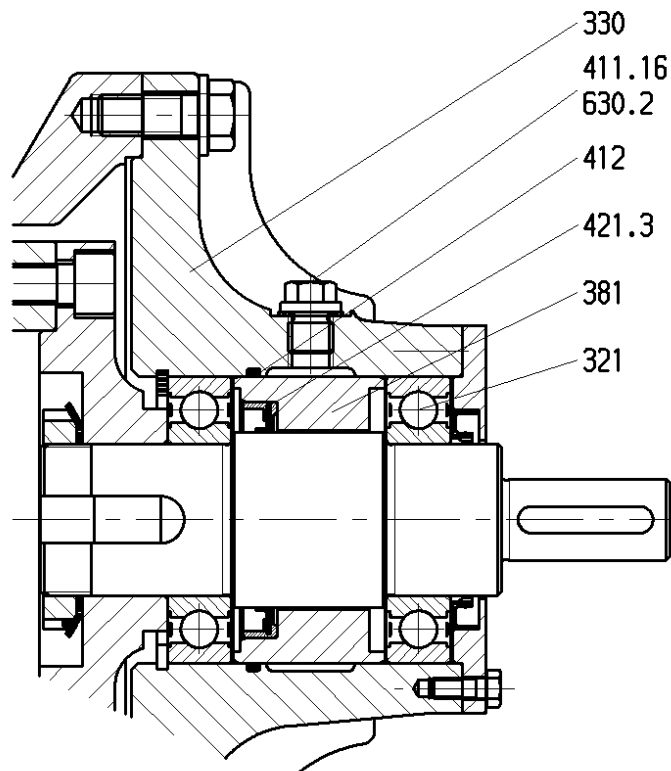
**ATTENTION**

**When fitting the secondary sealing (part no. 421.3) in the bearing insert (part no. 381) take care to observe the correct assembly direction. The sealing lip of the secondary sealing must face the outer magnet carrier.**

- Coat the sealing lip of the secondary sealing with grease.
- Push the bearing insert on the drive shaft.
- Heat the second ball bearing to abt. 80°C and mount it on the drive shaft.
- Heat the bearing support to abt. 80 °C in the bearing seat area.
- Insert the snap ring (part no. 932) and the O-ring (part no.412) into the bearing support (part no. 330).
- Push the drive shaft equipped with anti-friction bearings into the bearing seat.
- Insert the radial shaft seal ring (part no. 421.2) into the bearing cover (part no. 360), mount the bearing cover to the bearing support by means of cap screws (part no. 901.17).

**ATTENTION**

**When fitting the radial shaft seal ring (part no. 421.2) into the bearing cover (part no. 360) take care to observe the correct assembly direction.**



- **For Grease-Lubricated Construction with Thermal Barrier:**
  - Push the bearing insert (part no. 381) on the drive shaft.
  - Heat the second ball bearing to abt. 80°C and mount it on the drive shaft.
  - Heat the bearing support to abt. 80 °C in the bearing seat area.
  - Insert the snap ring (part no. 932) into the bearing support (part no. 330).
  - Push the drive shaft equipped with anti-friction bearings into the bearing seat.

**ATTENTION**

**When installing a new secondary sealing, this must be pushed on the shaft sleeve about 3 minutes prior to its installation in the thermal barrier. Thus, the sealing lip is predeformed prior to final installation.**

- Then the shaft sleeve (part no. 525.1) is pushed on the drive shaft.
- Insert the secondary sealing (part no. 421.3) into the thermal barrier (part no. 152), push the thermal barrier in front of the bearing support.

**ATTENTION**

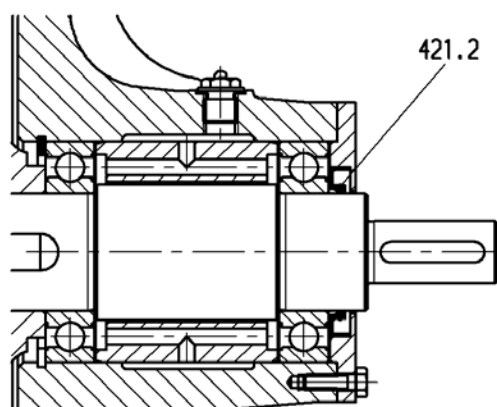
**When fitting the secondary sealing (part no. 421.3) in the thermal barrier (part no. 152) take care to observe the correct assembly direction. The sealing lip of the secondary sealing must face the outer magnet carrier.**

- Insert radial shaft seal ring (part no. 421.2) into the bearing cover (part no. 360), mount the bearing cover with cap screws (part no. 901.17) to the bearing support.

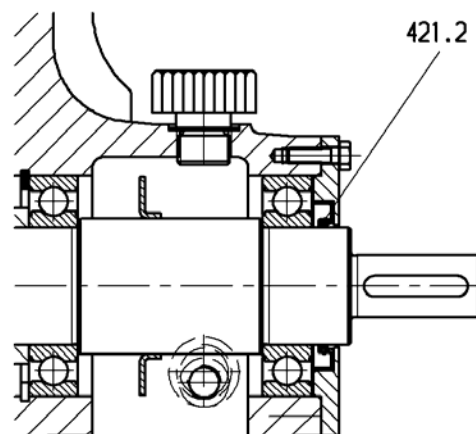
**ATTENTION**

**During installation of the radial shaft seal ring (part no. 421.2) into the bearing cover (part no. 360) takes care to observe the correct assembly direction.**

Grease-Lubricated Anti-Friction Bearings

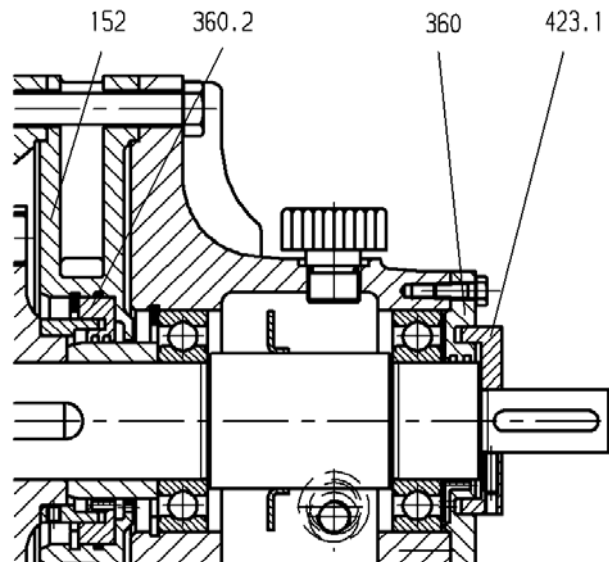


Oil-Lubricated Anti-Friction Bearings





- **For Oil-Lubricated Construction with Labyrinth Sealing:**
  - Push the splash ring (part no. 508) on the shaft via the knurled surface.
  - Heat the second ball bearing to abt. 80°C and mount it on the drive shaft.
  - Heat the bearing support to abt. 80 °C in the bearing seat area.
  - Insert the snap ring (part no. 932) into the bearing support (part no. 330).
  - Push the drive shaft equipped with anti-friction bearings into the bearing seat.
  - Push the shaft sleeve (part no. 525.1) on the drive shaft.
  - Insert the bearing cover (part no. 360.2) into the thermal barrier (part no. 152) and secure it with the snap ring (part no. 932.2).
  - Mount the thermal barrier in front of the bearing support.
  - Mount the bearing cover (part no. 360) with cap screws (part no. 901.17) to the bearing support.
  - Push the splash ring (part no. 423.1) on the drive shaft (part no. 213).



- Secure drive shaft (part no. 213) against turning and insert the key (part no. 940.1) into the key groove.
- Push the outer magnet carrier with the outer magnet carrier hub on the shaft end and fasten and secure the outer magnet carrier with the lock washer (part no. 931) and the shaft nut (part no. 921). (Use of KU-assembly tool is recommended.)

### 5.1.2 Close-Coupled Construction SLM GVBT

#### Construction with Thermal Barrier and Secondary Sealing:

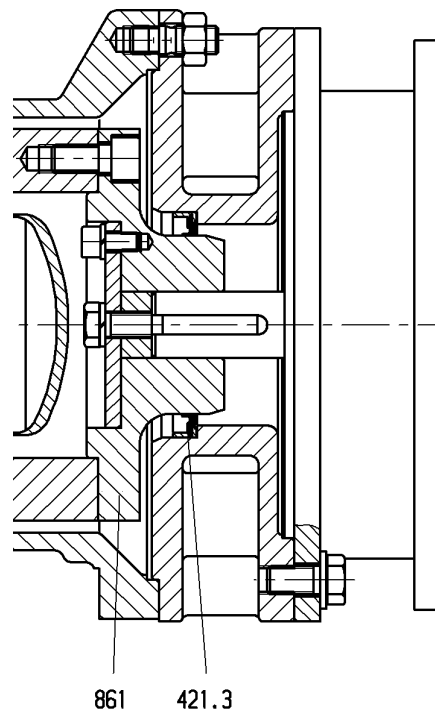
#### **ATTENTION**

**When installing a new secondary sealing, this must be pushed on the outer magnet carrier hub about 3 minutes prior to its installation in the thermal barrier. Thus, the sealing lip is predeformed prior to final installation.**

- Insert the secondary sealing (part no. 421.3) into the thermal barrier (part no. 152).

**ATTENTION**

**When fitting the secondary sealing (part no. 421.3) in the thermal barrier (part no. 152) take care to observe the correct assembly direction. The sealing lip of the secondary sealing must face the outer magnet carrier.**



- Push the motor lantern (part no. 146.2) with the thermal barrier fitted to it or the motor lantern (part no. 146.2) and the thermal barrier (part no. 152) in front of the motor and fasten the components to the motor by means of cap screws (part no. 901.12).
- Push the complete outer magnet carrier (part no. 818.1 / part no. 861) onto the motor shaft and fasten and secure it by means of cap screws (part no. 901.11 and 914.11) and lock washer (part no. 554.4).

**Construction without Thermal Barrier and Secondary Sealing**

- Push the motor lantern (part no. 146.2) in front of the motor and fasten it to the motor by means cap screws (part no. 901.12).
- Push the complete outer magnet carrier (part no. 818.1 / part no. 861) onto the motor shaft and fasten and secure it by means of cap screws (part no. 901.11 and 914.11) and lock washer (part no. 554.4).

## 5.2 Hydraulic Component

- Fix the shaft (part no. 211) in a suitable clamping aid.
- Insert the key (part no. 940.5) and push the impeller (part no. 230.2) over the pump shaft.
- Mount the individual stage pairs, the guide wheel (part no. 175) and impellers (part no. 230.3), with key (part no. 940.5) on the pump shaft (as done during dismantling, however, in reverse sequence).
- Carefully pull the bearing sleeve (part no. 529.4) on the pump shaft.
- Shrunk the bearing bush (part no. 545.4) in the guide wheel (part no. 175.1)
- Assemble the complete unit guide wheel / bearing bush.
- Insert the key (Pos. 940.5) and assemble the suction impeller (Pos. 230.1).
  
- For construction with inducer, fasten and secure the suction impeller with the impeller screwing (part no. 922). (For tightening moments of the screwing refer to the corresponding table) Screw the inducer (part no. 236) on the impeller screwing (part no. 922) and fasten and secure it by means of the screwing (part no. 901.19 / 931.3).
  
- Secure the complete hydraulic component by means of lock washer / split washer (part no. 931.3) and assembly stud nut (part no. 922).
- (For tightening moments refer to the corresponding table.)
- Push the complete hydraulic component into the pump casing (part no. 101)

**ATTENTION****Turn the complete assembly by hand to check the smooth running of the shaft (part no. 211).****ATTENTION****For further assembly, position the complete assembly on the suction nozzle.**

- Put the elastomer washer (part no. 504.2) and thrust bearing (part no. 314) into the holder (part no. 386) and push it on the pump shaft (part no.211).
- Carefully assemble bearing sleeves (part no. 529.1) and distance sleeve (part no. 525) and push the resulting assembly over the pump shaft
- Screw the bearing bush (part no. 545.1) by means of cap screws (part no. 901.3) to the multi stage casing (part no. 108).
- Fit the gasket (part no. 400.1) into the centring of the pump casing (part no. 101).
- Carefully push the multi stage casing / bearing bush over the bearing sleeve on the pump shaft and center it in the pump casing (mind the position of the casing feet)
- Push the thrust bearing (part no. 314) and the elastomer washer (part no. 504.2) on the pump shaft.

**There is axial clearance of 0.5 mm between the two thrust bearings.**

- Install the key (part no. 940.3) in the key groove of the pump shaft (part no. 211).
- Carefully pull the inner magnet carrier (part no. 818.2) (over elastomer washer and thrust bearing) on the pump shaft.
- Screw the inner magnet carrier with washer (part no. 504.4), lock washer (part no. 931.2) and shaft nut (part no. 921.2) on the pump shaft and secure it.

- **For Construction with Metal Isolation Shell:**

Insert the gasket (part no. 400.3) into the lining groove of the casing cover. Place the isolation shell (part no. 817) in the centring and fasten it on the casing cover by means of cap screws (part no. 901.1).

- **For Construction with Plastic Isolation Shell:**

The inner isolation shell made of PTFE functions like a static gasket at the casing cover. Fit the isolation shell (part no. 817, outer and inner isolation shells) in the lining groove of the casing cover. Pull the straining ring (part no. 515) over the isolation shell and screw it with cap screws (part no. 901.1) on the casing cover.

- **For Construction with Ceramics Isolation Shell:**

Fit the O-ring (part no. 412.1) in the lining groove of the casing cover. Pull the straining ring (part no. 515) over the isolation shell (part no. 817), position it together with the isolation shell in the centring and screw it with cap screws (part no. 901.1) on the casing cover.

<b>ATTENTION</b>	<b>In case of pump construction with ceramics isolation shell, make sure the isolation shell does not jam in the straining ring. You must be able to turn the isolation shell freely in the straining ring.</b>
------------------	---

### 5.3 Final Assembly SLM GVNT, SLM GVST, SLM GVBT, SLM GVOT

- **Bearing-Support Construction:**
  - Fix the completely assembled bearing support vertically in the assembly aid as described in the corresponding dismantling procedure.
  - Screw the intermediate lantern (part no. 146.1) on the bearing support by means of screws (part no. 901.18 / part no. 902.3).
  
- **Close-Coupled Construction:**
  - Position the motor with flanged-on motor lantern (part no. 146.2) and the completely assembled outer magnet carrier vertically on a stable support with the outer magnet carrier facing upward. Secure the assembly against overturning.
  - Screw the intermediate lantern (part no. 146.1) on the motor lantern by means of screws (part no. 901.18 / part no. 902.3).
  
- Position the assembled unit comprising pump casing/casing cover/isolation shell in the centring of the intermediate lantern.

**ATTENTION**

**The position of the casing cover in the intermediate lantern is determined by a set pin in the intermediate lantern.**

- Screw the stud bolts / assembly stud bolts (part no. 902) into the threaded bores of the pump casing (part no. 101).
- Fasten the completely assembled unit with the intermediate lantern by means of the assembly stud nuts (part no. 920.1) (the nuts to be tightened only slightly!).
- Put the pump in a horizontal position, align pump casing and intermediate lantern and tightly fasten the assembly stud nuts (part no. 920.1).  
(For tightening moments of the screwing refer to the corresponding table.)



## 5.4 Tightening Moments for Screws

In case materials of screws are not indicated here, please contact KLAUS UNION.

Part No.	Position	Screw-Material	Thread	Tightening Moment [Nm]
921.2/ 931.2	Pump shaft	1.4571	M 35x1,5	350
		1.7258		
		1.7709		
		2.4610		
901.1	Isolation Shell Flange	A4 - 70	M10 / M 12	35 / 45
		1.7258		
		1.7709		
901.1	Straining Ring (Isolation Shell made of <b>Zirconium</b> )	A4 - 70	M 10	25
			M12	35
901.1	Straining Ring (Isolation Shell made of <b>CFRP</b> )	A4 - 70	M 10 / M 12	25 / 45
902/ 920.1	Pump casing	5.6 galvanized +chromized	M 16 / M 20	80 / 120
		A2 - 70		
		A4 - 70		90 / 130
		1.7258		
		1.7709		
922	Impeller Nut	1.4571/ 2.4610	M 20x1	110 / 110

Materials of screws are mentioned in the parts list.

## 6. Spare Parts

The attached spare parts list enumerates the recommended spare parts.

	<p><b>Exclusively use original spare parts or KLAUS-UNION approved spare parts for repairs and replacements.</b></p>
---	--

## 1. Malfunctions and Causes

When contacting KLAUS UNION for further information  
please advise our ref.-no. and / or the serial no.

<b>Malfunctions</b>	<b>Reference-Number for Cause and Elimination</b>
Rate of flow is too low	1, 8, 9, 12, 14, 15
Rate of flow is too high	2, 16
Delivery head is too low	2, 3, 8, 9, 10, 12, 15
Delivery head is too high	1, 16, 29, 33
Pump does not suck or only to a limited extent	3, 5, 8, 15
Pump does not feed	3, 4, 5, 6, 8, 15
Pump processes by fits and starts	3, 5, 8
Pump operates noisily	3, 5, 6, 7, 12, 13
Power input is too high	2, 6, 7, 10, 11, 13, 16
Power input is too low	9, 15, 29, 32, 33
Pump runs backwards	12, 18
Pump runs unsteadily	7, 13, 17, 19, 20, 21, 22, 23, 24, 25, 26, 27, 28, 29
Pump leaks	28, 30, 31
Pump runs hot	4, 15, 17
Pump stalled	6, 7, 13

### 2. Causes and Proceedings for Elimination of Malfunctions

Ref.-No.:	Cause	Elimination
1	Resistance in pressure pipework is too high.	Clean or replace pipework and valves. Check the dimensions of the pipework nominal diameters.
2	Pressure-side pipework resistance is too low.	Throttle using control valve on pump discharge.
3	Inlet pressure is too low, geodetic suction height is too high.	Increase inlet pressure on the suction side.
4	Shut-off valve in the pressure or suction-side pipework respectively is closed.	Open the shut-off valve. If necessary, check swing-check valves.
5	The suction-side pipework still contains gas bubbles.	Vent the unit. Check suction-side pipework (refer to instructions given in section "Installation and Assembly").
6	Foreign bodies in the pump.	Dismantle and clean the pump. Replace damaged components using new original spare parts.
7	Wear of journal bearings.	Check the bearing clearance.
8	Suction pipework leaks.	Check the connections of the suction-side pipework (tightening moments and gaskets). Check tightening moments pump and gaskets at the casing. Replace damaged gaskets by new original spare parts.
9	Speed is too low.	Check frequency and voltage of the motor.
10	Viscosity of the pumped liquid is too high.	Contact KLAUS UNION.
11	Density of the pumped liquid is too high.	Contact KLAUS UNION.
12	Wrong direction of rotation.	Check the motor's direction of rotation (observe direction-of-rotation arrow on the pump).
13	Anti-friction bearings are damaged.	Replace the anti-friction bearings and clean the oil chamber. Check whether the lubricant is appropriate for field of application.
14	Inadmissible reduction of area of cross section in the suction pipework.	Clean suction pipework and its baffles (filter, valves, etc.). If necessary, replace suction pipework.

Ref.-No.:	Cause	Elimination
15	Breakaway of magnet drive.	Switch off the motor. As soon as the motor comes to rest, switch it on again. In case of a repeated breakaway of the magnet drive, contact KLAUS UNION.
16	Speed is too high.	Check the frequency and the voltage of the motor.
17	Flush flow is too low.	Check the flushing system. Clean the components if necessary. Check $Q_{\min}$ .
18	Swing check valve jammed.	Check for correct operation of the swing check valve.
19	Impellers are clogged or damaged.	Clean the impellers and replace them using new original spare parts if necessary.
20	Precipitation of crystals from the pumped liquid.	Increase the temperature of the pumped liquid, e. g. by heating the pump. Contact KLAUS UNION.
21	Specified quantity of lubricant was not observed.	Check the anti-friction bearings and replace them using new original spare parts if necessary. Increase the quantity of the lubricant according to the specification.
22	Unsuitable lubricant.	Check the anti-friction bearings and replace them using new original spare parts if necessary. Check whether the lubricant is suitable for your field of application.
23	Inexpert assembly of anti-friction bearings.	Check the anti-friction bearings and replace them using new original spare parts if necessary. Assemble the anti-friction bearings properly.
24	Misaligned or loose coupling.	Check the coupling for any misalignment. If necessary, observe the instructions given in the operation manual of the flexible coupling.
25	Flexible coupling is worn.	Replace the flexible coupling by a new one. If necessary, observe the instructions given in the operation manual of the flexible coupling.
26	Poor workmanship of the foundation.	Check and correct the construction of the foundation.
27	Base plate is not rigid enough with foundationless execution.	Contact KLAUS UNION.

<b>Ref.-No.:</b>	<b>Cause</b>	<b>Elimination</b>
28	Pump casing is distorted.	Check and correct pipework lengths.
29	Pump design is incorrect.	Contact KLAUS UNION.
30	Unsuitable casing gaskets.	Replace the casing gaskets using new original spare parts.
31	Casing screws have been tightened insufficiently.	Tighten the casing screws according to the specified tightening moments.
32	Density of the pumped liquid is too low.	Contact KLAUS UNION.
33	Viscosity of the pumped liquid is too low.	Contact KLAUS UNION.